

Motion detector - Professional Line

IS 345

COM1 - in-ceiling installation, rd.

EAN 4007841 079697

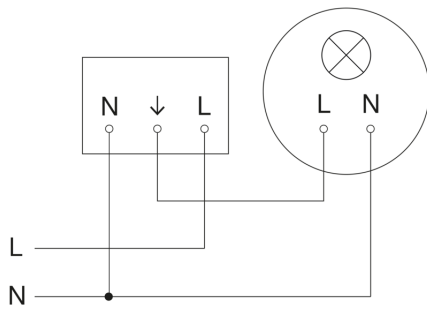
Article number 079697



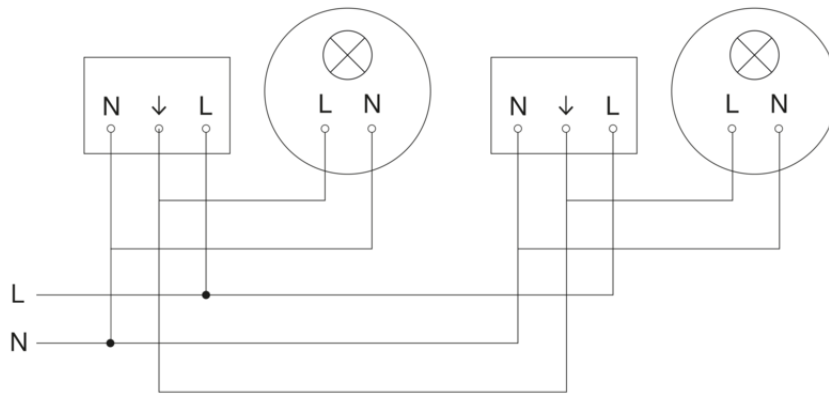
IS 345

COM1 - in-ceiling installation, rd.
EAN 4007841 079697
Article number 079697

Circuit diagram



Circuit diagram for interconnecting several sensors



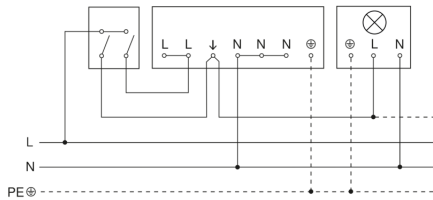
IS 345

COM1 - in-ceiling installation, rd.

EAN 4007841 079697

Article number 079697

Connection using two-circuit switch for manual and automatic operation



Circuit diagram Connection via a changeover switch for continuous and automatic operation

